

Better Tools Better Works!

Manufactured, Assembled &
Inspected from our own factory.



JITOOL

HEADQUARTERS

18 Jikdong-ro, Gwanju-si,
Gyeonggi-do, Korea
TEL : +82-2-445-2500
FAX : +82-2-445-2506
E-mail : jitool@jitool.com

JITOOL USA CORP.

14404 Iseli Road,
Santa Fe Springs, CA 90670, USA
TEL : +1-562-404-8740
FAX : +1-562-404-8490
E-mail : tony.jitool@gmail.com

www.jitool.com

JITOOL

ABOUT US

Better Tools, Better Works! **JITOOL**

JITOOL has been a leading manufacturer of pneumatic tools as nailer and stapler in Korea.

With more than 30 years of experience, JITOOL believes that we have come together with latest technology and customer focus.

JITOOL constantly making efforts to become 'World-class corporation'.

To achieve this vision, we continuously R&D and improve the quality of products.

We have been developing state-of-the-art products and also satisfying global customers by providing best quality service.

With ongoing innovation, JITOOL will proceed to become a global leader.

◆ Pneumatic Tools

- Nailer ● Stapler ● Pinner
- Coil & Brad Nail - Strip Nail - Staple - Micro Pin



JITOOL KOREA (FIRST)
JITOOL Factory for Tool



JITOOL KOREA (SECOND)
JITOOL Factory for Fastener



Company History

www.jitool.com

- 1983 - Established Jeil Tacker Co., Ltd.
Produced Air Tacker (Nailer & Stapler)
- 1984 - Developed Air Tacker 3 Items (1013J, 413J, 422J)
- 1985 - Developed Air Tacker 5 Items (F30, 1022J, F-50, F-64, 618)
- 1987 - Developed Air Tacker 4 Items (938, 951, 722, MA438)
- 1990 - Developed Air Tacker 3 Items (CT64, 1150, 1832)
- 1994 - Developed Air Tacker 4 Items (NT64, PF25, JN-501, JN830)
- 1998 - Became a member of The STAFDA (U.S.A.)
Developed Air Tacker 5 Items (1565, JS16, AP35, AP64, JN650)
- 1999 - Certified for CE
Developed Air Tacker 2 Items (JS16-54, JN650)
- 2000 - Attended The STAFDA Show (every year)
A Founded Second Factory- Produced Staple
Acquired KSA / ISO 9001 Certification
Developed Air Tacker 3 Items (9032, 1665, 1651)
- 2001 - Developed Air Tacker 3 Items (9038A, 1651S, FN2190)
- 2002 - Second Factory Plant expansion (Produced Brad Nails)
- 2003 - Developed Air Tacker 2 Items (1651PW, 630)
- 2004 - Developed Air Tacker 1 Items (CT64N)
- 2005 - Developed Air Tacker 2 Items (JN45R, JN2190)
- 2006 - INNO BIZ
The Certificate of Venture Business
Developed Air Tacker 3 Items (JNS45, 640, JPS38R)
- 2007 - Relocated First Factory
Developed Air Tacker 3 Items (JS16-80, 1850A, JPS38)
- 2008 - Established JITOOL USA Co. in California, U.S.A.
Developed Air Tacker 3 Items (JN70C, T64R, T50)
- 2009 - Developed Air Tacker 4 Items (JN55C, JLS38, TRS25P, TRS25B)
- 2010 - Developed Air Tacker 3 Items (AP64R, 1013F, JS16-34M)
- 2011 - Developed Air Tacker 2 Items (JN100C, JN80C)
- 2012 - Developed Air Tacker 5 Items (CS26/38, FN21/90, FN34/90, TRS38S, S740/18)
- 2013 - Developed Air Tacker 5 Items (CS15/50, CS26/64, JN65S, BN16/50, BN16/64)
- 2014 - Developed Air Tacker 4 Items (IN160, JN50C, S80/16-20, S71/16-22)



KOREA

JITOOOL KOREA.
18 Jikdong-ro, Gwanju-si,
Gyeonggi-do, Korea

Tel : +82-2-445-2500
Fax : +82-2-445-2506

USA

JITOOOL USA CORP.
14404 Iseil Road,
Santa Fe Springs, CA 90670

Tel : +1-562-404-8740
Fax : +1-562-404-8490

CHINA

TIANJIN JITOOOL Co.Ltd
No3. Tianyong street, Liutan Industrial,
Tiedong Road, Beichen District,
Tianjin, China

Tel : +86-22-8694-3162
Fax : +86-22-8685-3161



CONTENTS

Company History _ 03

Global Network_ 04

Nailer _ 06

Coil Nailer _ 12

Stapler_ 16

Pinner _ 24

Punch_ 25

Compressor_ 26

CS15/50

MINI CONCRETE NAILER

For plinth and frame work / Interior and building finishing



CS26/38

Air Concrete Nailer

- Weight :**
 - 3.4 kg (7.5 lbs)
- Dimensions :**
 - H : 13-1/4" (336.4mm)
 - L : 18-1/4" (464mm)
 - W : 4-1/2" (114mm)
- Fasteners :**
 - MAX : GS638E
- Nail Capacity :**
 - 42 Nails
- Applications :**
 - Drywall track to concrete/steel
 - Concrete furring
 - Wood to steel

CS15/50

15GA. Mini Concrete Nailer

- Weight :**
 - 1.72kg (3.8 lbs)
- Dimensions :**
 - H : 10-5/8" (268mm)
 - L : 11-7/16" (290mm)
 - W : 3" (75.5mm)
- Fasteners :**
 - BEA : SKS600
 - YOUNGWOO : FST15/50
- Nail Capacity :**
 - 100 Nails
- Applications :**
 - For plinth and frame work
 - Interior and building finishing
 - Light steel connections

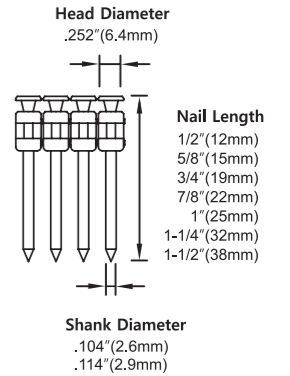
CS26/64

Air Concrete Nailer

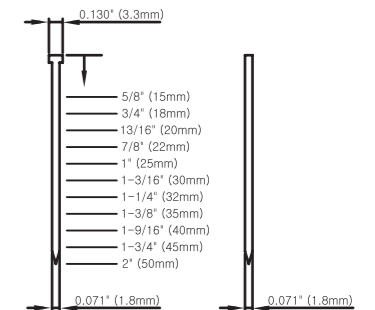
- Weight :**
 - 3.7 kg (8.2 lbs)
- Dimensions :**
 - H : 14-7/16" (367mm)
 - L : 18-3/8" (466.2mm)
 - W : 4-7/8" (123mm)
- Fasteners :**
 - MAX : GS638E
- Nail Capacity :**
 - 42 Nails
- Applications :**
 - Drywall track to concrete/steel
 - Concrete furring
 - Wood to steel
 - Sill plate to concrete



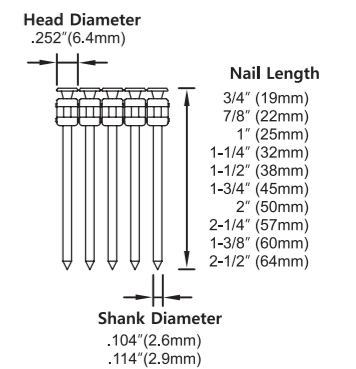
• Magnesium Body



• Magnesium Body



• Magnesium Body



FN21/90

21° Full Round Head Framing Nailer

• **Weight :**

- 3.6 kg(7.9 lbs)

• **Dimensions :**

- H : 13-11/32" (339mm)
 - L : 19-11/16" (500mm)
 - W : 4-1/2" (114mm)

• **Nail Capacity :**

- 64 Nails

• **Applications :**

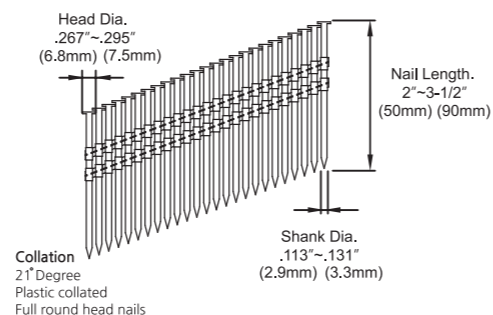
- Framing
- Truss building
- Subflooring
- Sheathing and Decking
- Crating and Pallets
- Fencing



• Magnesium Body

• **Fasteners :**

- BOSTITCH : N Series
- MAX : SN Series
- SENCO : FramePro Series
- HITACHI : NR83A Series



Collation
21° Degree
Plastic collated
Full round head nails

FN34/90

34° Clipped Head Framing Nailer

• **Weight :**

- 3.5 kg(7.7 lbs)

• **Dimensions :**

- H : 13-25/32" (350mm)
 - L : 17-9/16" (446mm)
 - W : 4-1/2" (114mm)

• **Nail Capacity :**

- 90 Nails

• **Applications :**

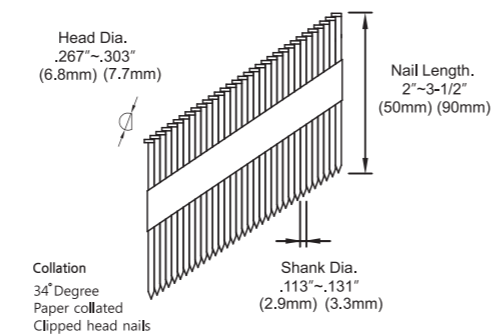
- Framing
- Truss building
- Subflooring
- Sheathing and Decking
- Crating and Pallets
- Fencing



• Magnesium Body

• **Fasteners :**

- BOSTITCH : N Series
- MAX : SN Series
- SENCO : FramePro Series
- HITACHI : NR83AA Series



Collation
34° Degree
Paper collated
Clipped head nails

JN2190

21° Full Round Head Framing Nailer

• **Weight :**

- 3.9 kg(8.6 lbs)

• **Dimensions :**

- H : 14" (356mm)
 - L : 19-8/9" (505mm)
 - W : 4-6/7" (123mm)

• **Nail Capacity :**

- 64~70 Nails

• **Applications :**

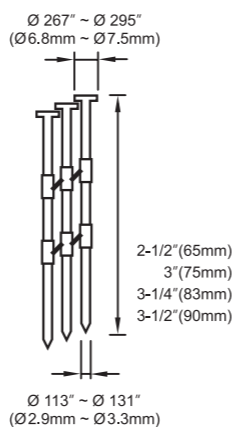
- Pallets
- Crate & Box Assembly
- Framing
- Sheathing and Decking
- Subflooring



• Magnesium Body

• **Fasteners :**

- BOSTITCH : N Series
- MAX : SN Series
- SENCO : FramePro Series
- HITACHI : NR83A Series



CT64RN

14GA. 64mm Brad & Concrete Nailer

• **Weight :**

- 2.43 kg(5.36 lbs)

• **Dimensions :**

- H : 12-3/16" (310mm)
 - L : 12-1/3" (313mm)
 - W : 3-4/5" (97mm)

• **Nail Capacity :**

- 80 Nails

• **Nail Capacity :**

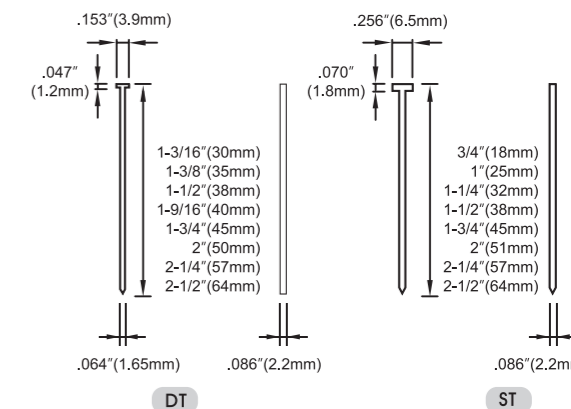
- PASLODE : 3250-F14
404677 Series

• **Applications :**

- Window & Door Molding
- Cabinet Furniture Trim
- Trusses Building
- Wood to Concrete



• Magnesium Body



IN160

Insulation Nailer

• **Weight :**

- 3.2 kg(7.05 lbs)

• **Dimensions :**

- H : 12-7/8" (328mm)
 - L : 17-11/16" (449mm)
 - W : 4-3/16" (123mm)

• **Nail Capacity :**

- 1 Nail

• **Operating Pressure :**

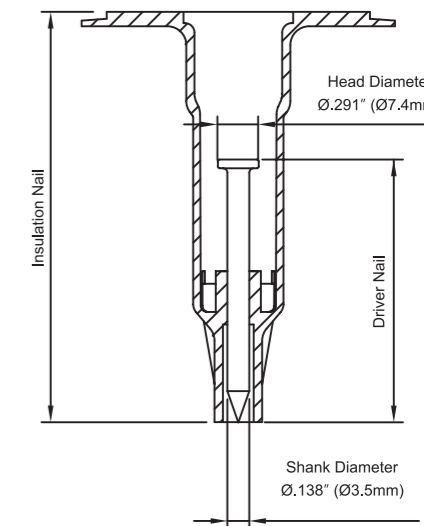
- 85~120psi(6~8kgf/cm²)

• **Applications :**

- Fix the insulation layer on the concrete and brick



• Magnesium Body



Insulation Nail Length	Driver Nail Length
1-3/16" (30mm)	1-5/8" (42mm)
1-3/8" (35mm)	
1-9/16" (40mm)	
1-3/4" (45mm)	2-1/16" (52mm)
2" (50mm)	
2-3/8" (60mm)	
2-3/4" (70mm)	
3-3/16" (80mm)	
3-9/16" (90mm)	
3-15/16" (100mm)	
4-3/4" (120mm)	
5-1/2" (140mm)	
5-7/8" (150mm)	
6-5/16" (160mm)	

www.jitool.com

BN16/50

16GA. Finish Nailer

• **Weight :**

- 1.72kg (3.8 lbs)

• **Dimensions :**

- H : 10-5/8" (268mm)
 - L : 11-1/4" (286mm)
 - W : 3" (75.5mm)

• **Nail Capacity :**

- 100 Nails

• **Fasteners :**

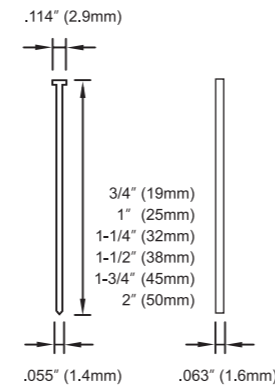
- BEA : SK400 Series
 - HITACHI : 142 Series
 - POTER CABLE : FN16 Series

• **Applications :**

- Molding & Decorative Trim
 - Furniture Trim
 - Door & Window Casings
 - Component Assembly
 - Picture Frame Assembly



• Magnesium Body



www.jitool.com

1850A

18GA. 50mm Brad Nailer

• **Weight :**

- 1.35kg (2.97 lbs)

• **Dimensions :**

- H : 9-5/8" (244mm)
 - L : 9-5/8" (244mm)
 - W : 2-5/16" (59mm)

• **Nail Capacity :**

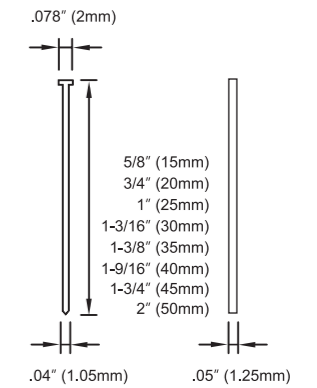
- 100 Nails

• **Fasteners :**

- MAX : NF255-ST/18 Series
 - HITACHI : NT Series

• **Applications :**

- Molding & Decorative Trim
 - Mirror & Picture Frames
 - Case Backs
 - Interior Trim & Exterior Trim



www.jitool.com

BN16/64

16GA. Finish Nailer

• **Weight :**

- 1.78kg (3.92 lbs)

• **Dimensions :**

- H : 11-1/8" (282mm)
 - L : 11-1/4" (286mm)
 - W : 3" (75.5mm)

• **Nail Capacity :**

- 100Nails

• **Fasteners :**

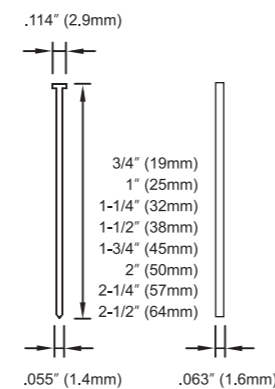
- BEA : SK400 Series
 - HITACHI : 142 Series
 - POTER CABLE : FN16 Series

• **Applications :**

- Molding & Decorative Trim
 - Furniture Trim
 - Door & Window Casings
 - Component Assembly
 - Picture Frame Assembly



• Magnesium Body



F30

18GA. 30mm Brad Nailer

• **Weight :**

- 1.1kg (2.42 lbs)

• **Dimensions :**

- H : 7-7/16" (189mm)
 - L : 9-13/16" (250mm)
 - W : 2-5/16" (59mm)

• **Nail Capacity :**

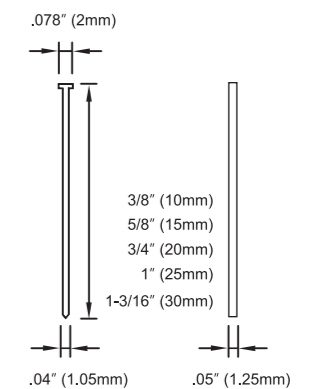
- 100Nails

• **Fasteners :**

- MAX : TA20A Series
 - HITACHI : NT Series

• **Applications :**

- Molding & Decorative Trim
 - Furniture Trim
 - Interior Trim & Exterior Trim



www.jitool.com

JN100C

INDUSTRIAL COIL NAILER

Making wooden pallets/ Heavy duty wooden boxes/ Packaging



JN65S

Siding Coil Nailer

• Weight :

- 2.1kg(4.6 lbs)

• Dimensions :

- H : 12" (305mm)

- L : 10-11/32" (263mm)

- W : 4-31/32" (126mm)

• Fasteners :

- BOSTITCH : N66C

- MAX : CN565S

- HITACHI : NV65AH

• Nail Capacity :

- 1Roll (200~300 pcs)

• Applications :

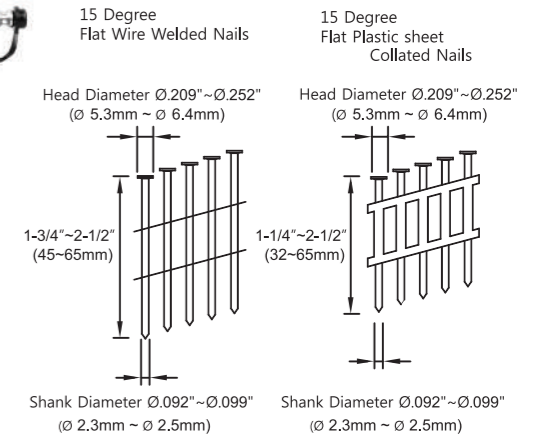
- General construction works including siding

- Decking

- Panel sheathing



• Magnesium Body



www.jitool.com

JN50C

Industrial Coil Nailer

• Weight :

- 2.05kg(4.5 lbs)

• Dimensions :

- H : 10-1/2" (267mm)

- L : 10-11/32" (263mm)

- W : 4-13/16" (122mm)

• Fasteners :

- HITACHI : NV50A1

• Nail Capacity :

- 1Roll (400 pcs)

• Applications :

- Making wooden crate

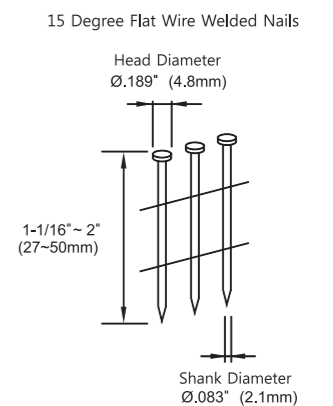
- Fencing

- Making and Repairing Pallets

- Siding, Decking and Sheathing



• Magnesium Body



JN45R

Roofing Coil Nailer

Weight :

- 2.26 kg(4.98 lbs)

Dimensions :

- H : 10-1/2" (267mm)
 - L : 10-1/2" (267mm)
 - W : 4-7/16" (113mm)

Nail Capacity :

- 120 Nails

Applications :

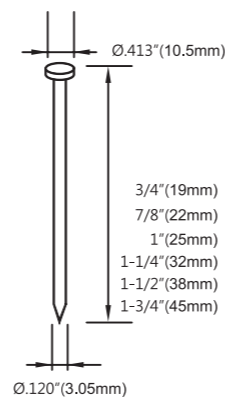
- Siding Installation
 - Wooden Box Assembly
 - Fastening asphalt & fiberglass shingles



• Magnesium Body

Fasteners :

- HITACHI : NV45 Series
 - BOSTITCH : RN45B, RN46
 - MAX : CN450R, CN445R
 - SENCO : RoofPro Series



JN80C

Industrial Coil Nailer

Weight :

- 3.76 kg(8.3 lbs)

Dimensions :

- H : 13-13/16" (351mm)
 - L : 13-1/4" (336.5mm)
 - W : 5-3/8" (137mm)

Nail Capacity :

- 1 Roll (250~300 pcs)

Fasteners :

- HITACHI : NV65 Series
 - MAX : CN80 Series

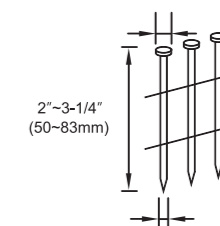
Applications :

- Making and Repairing wooden pallets and boxes
 - All Types of packing and crating
 - Fencing, framing, roof decking, flooring



• Magnesium Body

15 Degree Flat Wire Welded Nails
 Head Diameter $\varnothing.224''\sim\varnothing.283''$
 ($\varnothing 5.7\text{mm} \sim \varnothing 7.2\text{mm}$)



Shank Diameter $\varnothing.099''\sim\varnothing.131''$
 ($\varnothing 2.5\text{mm} \sim \varnothing 3.3\text{mm}$)

JN55C

Industrial Coil Nailer

Weight :

- 2.63 kg(5.8 lbs)

Dimensions :

- H : 10-19/32" (269mm)
 - L : 10-3/4" (273mm)
 - W : 5-5/16" (135mm)

Nail Capacity :

- 1 Roll (300~400 pcs)

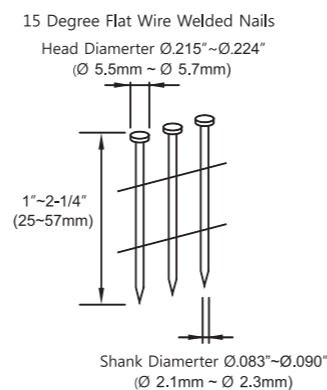
Applications :

- Making wooden crate
 - Fencing
 - Making and Repairing Pallets
 - Siding, Decking and Sheathing



Fasteners :

- BOSTITCH : N57C
 - MAX : CN55 Series
 - SENCO : PalletPro 57F



JN70C

Pallet Coil Nailer

Weight :

- 3.48 kg(7.67 lbs)

Dimensions :

- H : 12-1/2" (317mm)
 - L : 13-3/32" (333mm)
 - W : 5-5/16" (135mm)

Nail Capacity :

- 1 Roll (250~300 pcs)

Applications :

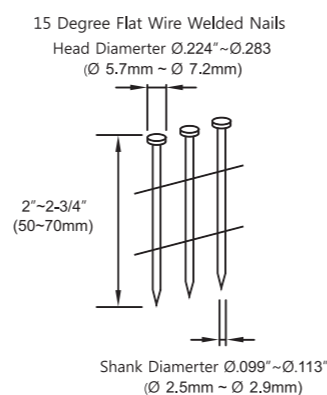
- Making wooden crate
 - Fencing
 - Making and Repairing Pallets
 - Siding, Decking and Sheathing



• Magnesium Body

Fasteners :

- HITACHI : NV65 Series
 - BOSTITCH : N70 Series
 - MAX : CN70 Series
 - PASLODE : P275C/F275C Series



JN100C

Industrial Coil Nailer

Weight :

- 5.6 kg(12.4 lbs)

Dimensions :

- H : 15-15/16" (405mm)
 - L : 14-7/8" (378mm)
 - W : 6" (153mm)

Nail Capacity :

- 1 Roll (200~250 pcs)

Fasteners :

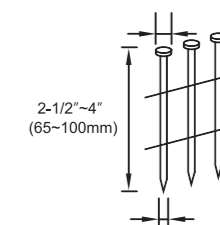
- MAX : CN100 Series

Applications :

- Making wooden pallets
 - Heavy duty wooden boxes
 - Crating
 - Packaging



15 Degree Flat Wire Welded Nails
 Head Diameter $\varnothing.276''\sim\varnothing.295''$
 ($\varnothing 7.0\text{mm} \sim \varnothing 7.5\text{mm}$)



Shank Diameter $\varnothing.113''\sim\varnothing.131''$
 ($\varnothing 2.9\text{mm} \sim \varnothing 3.3\text{mm}$)

www.jitool.com

JNS45

16GA.7/16" Medium Crown Stapler

• **Weight :**

- 2.22 kg(4.9 lbs)

• **Dimensions :**

- H : 11-3/4" (298mm)
 - L : 13-3/4" (349mm)
 - W : 3-11/16" (94mm)

• **Staple Capacity :**

- 160 staples

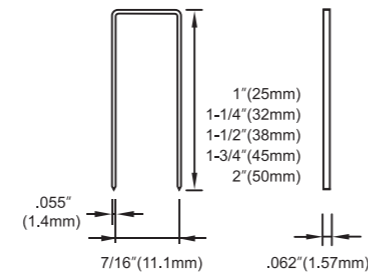
• **Applications :**

- Sheathing & Subflooring
 - Roof Decking
 - Furniture & Pallets
 - Crate & Wooden box



• **Fasteners :**

- MAX : TA551 Series
 - HITACHI : N5008AC/11200 Series
 - SENCOR : SNS45XP/N Series



TRS38S

16GA.1" Wide Crown Stapler

• **Weight :**

- 2.28 kg(5.0 lbs)

• **Dimensions :**

- H : 10-5/16" (262mm)
 - L : 14-5/16" (364mm)
 - W : 3" (76mm)

• **Staple Capacity :**

- 160 staples

• **Applications :**

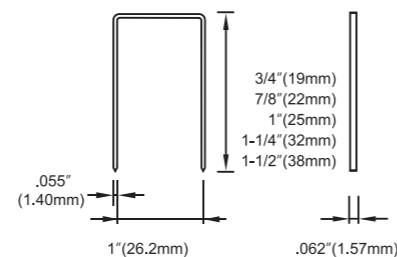
- Lathing & Insulation
 - Construction
 - Wooden working-furniture
 - Box Assembly



• Quick trigger system.
 • Magnesium Body

• **Fasteners :**

- SENCOR : PW/P Series
 - HITACHI : N5024A/11300 Series
 - DUO FAST : RNS-17481/1716CGR Series



TRS25S

16GA.1" Wide Crown Stapler

• **Weight :**

- 2.43 kg(5.35 lbs)

• **Dimensions :**

- H : 9" (229mm)
 - L : 14-13/16" (376mm)
 - W : 3-9/16" (89.8mm)

• **Staple Capacity :**

- 160 staples

• **Applications :**

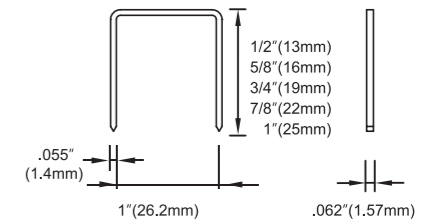
- Truss
 - Sheathing
 - Furniture framing
 - General construction works



• Magnesium Body

• **Fasteners :**

- SENCOR : P Series



TRS25B

16GA.1" Wide Crown Stapler

• **Weight :**

- 2.41 kg(5.31 lbs)

• **Dimensions :**

- H : 9" (229mm)
 - L : 14-13/16" (376mm)
 - W : 3-9/16" (89.8mm)

• **Staple Capacity :**

- 160 staples

• **Applications :**

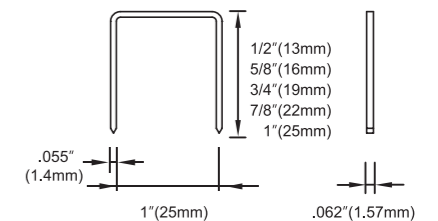
- Truss
 - Sheathing
 - Furniture framing
 - General construction works



• Magnesium Body

• **Fasteners :**

- BOSTITCH : BCS(16S2) Series



JPS38R

16GA.1" Wide Crown Stapler

• **Weight :**

- 2.40 kg(5.3 lbs)

• **Dimensions :**

- H : 10-3/8" (262.8mm)
 - L : 14-5/16" (364mm)
 - W : 3-9/16" (89.8mm)

• **Staple Capacity :**

- 160 staples

• **Applications :**

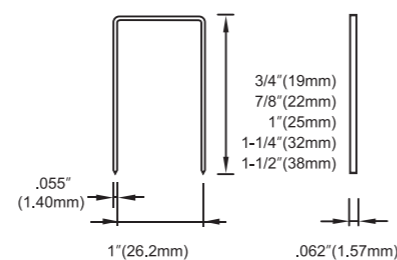
- Fastening asphalt & fiberglass
 Roof shingles
 - Construction
 - Wooden working-furniture,
 Box Assembly



• Magnesium Body

• **Fasteners :**

- SENCOR : PW150R/P Series
 - HITACHI : N5024A/11300 Series
 - DUO FAST : RNS-17481/1716CGR Series



S740/18

18GA.0.34" Medium Crown Stapler

• **Weight :**

- 1.94 kg(4.28 lbs)

• **Dimensions :**

- H : 10-5/16" (262mm)
 - L : 14-5/8" (372mm)
 - W : 3-1/16" (78mm)

• **Staple Capacity :**

- 200 staples

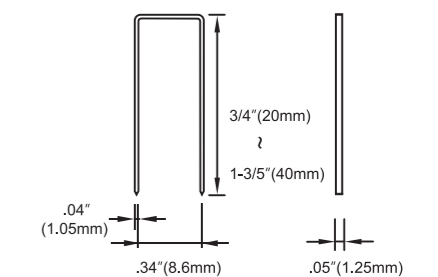
• **Applications :**

- Interior construction
 - Upholstered furniture
 - Wooden packaging



• **Fasteners :**

- BEA : 92/40-722C
 - KOCAMAZ KT92



JLS38

18GA.1/4" Narrow Crown Stapler

● **Weight :**

- 1.79 kg(3.95 lbs)

● **Dimensions :**

- H : 10-3/8" (263.5mm)
 - L : 10" (255mm)
 - W : 3-1/16" (78mm)

● **Staple Capacity :**

- 110 staples

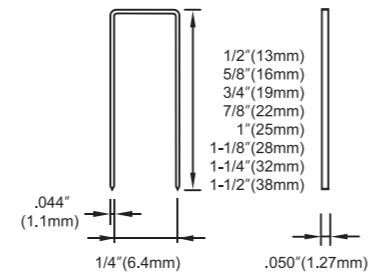
● **Applications :**

- Cabinets
 - Wooden Crate
 - Furniture Manufacturing



● **Fasteners :**

- BEA : NS/90 Series
 - DUO FAST : SURESHOT 1820/1800 Series
 - SENCO : SLS/L Series



722

18GA.0.34" Crown Stapler

● **Weight :**

- 1.2 kg(2.65 lbs)

● **Dimensions :**

- H : 7-1/16" (179mm)
 - L : 9-13/16" (250mm)
 - W : 2-5/16" (59mm)

● **Staple Capacity :**

- 92 staples

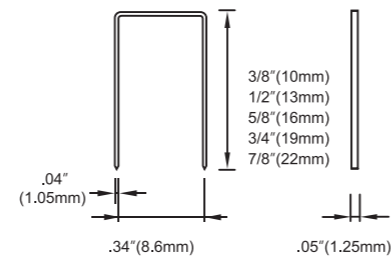
● **Applications :**

- Furniture Manufacturing
 - Upholstery & Bedding



● **Fasteners :**

- MAX : TA-35A/722M



422

20GA.0.20" Crown Stapler

● **Weight :**

- 1.2 kg(2.65 lbs)

● **Dimensions :**

- H : 7-1/16" (179mm)
 - L : 9-13/16" (250mm)
 - W : 2-5/16" (59mm)

● **Staple Capacity :**

- 100 staples

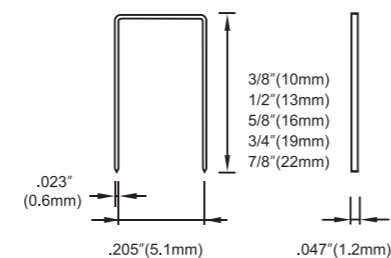
● **Applications :**

- Furniture Manufacturing
 - Upholstery & Bedding



● **Fasteners :**

- MAX : TA-35A / 422J



425

20GA. 0.20" Crown Stapler

● **Weight :**

- 1.2 kg(2.65 lbs)

● **Dimensions :**

- H : 7-1/16" (179mm)
 - L : 9-13/16" (250mm)
 - W : 2-5/16" (59mm)

● **Staple Capacity :**

- 100 staples

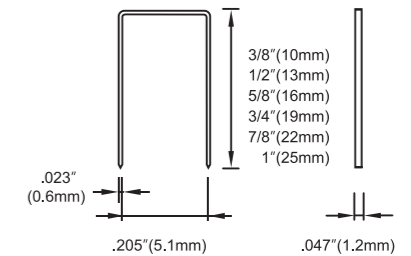
● **Applications :**

- Furniture Manufacturing
 - Upholstery
 - Bedding



● **Fasteners :**

- JIT : J(4) Series
 - MAX : J(4) Series



1022

20GA. 7/16" Crown Stapler

● **Weight :**

- 1.2 kg(2.65 lbs)

● **Dimensions :**

- H : 7-1/16" (179mm)
 - L : 9-13/16" (250mm)
 - W : 2-5/16" (59mm)

● **Staple Capacity :**

- 100 staples

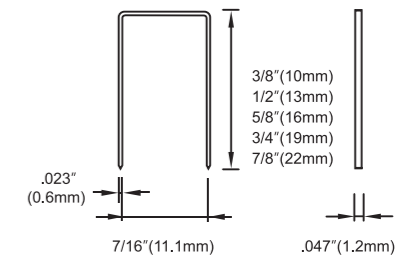
● **Applications :**

- Furniture Manufacturing
 - Upholstery & Bedding



● **Fasteners :**

- JIT : J(10) Series
 - MAX : J(10) Series



1025

20GA. 7/16" Crown Stapler

● **Weight :**

- 1.2 kg(2.65 lbs)

● **Dimensions :**

- H : 7-1/16" (179mm)
 - L : 9-13/16" (250mm)
 - W : 2-5/16" (59mm)

● **Staple Capacity :**

- 100 staples

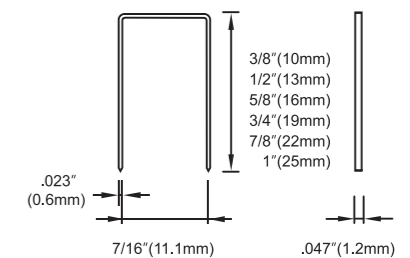
● **Applications :**

- Furniture Manufacturing
 - Upholstery & Bedding



● **Fasteners :**

- JIT : J(10) Series
 - MAX : J(10) Series



1013

20GA. 7/16" Crown Stapler

Weight :

- 0.88 kg (1.94 lbs)

Dimensions :

- H : 5-11/16" (145mm)
 - L : 8-21/32" (220mm)
 - W : 1-7/8" (47mm)

Staple Capacity :

- 100 staples

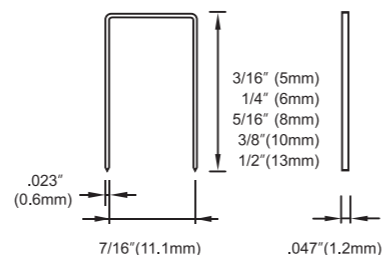
Applications :

- Furniture Manufacturing
 - Upholstery & Bedding



Fasteners :

- MAX : TA-20A/1013J



S80/16-20

20GA. 1/2" Crown Stapler

Weight :

- 0.97 kg (2.13 lbs)

Dimensions :

- H : 5-11/16" (145mm)
 - L : 8-15/32" (215mm)
 - W : 1-11/16" (43mm)

Staple Capacity :

- 155 staples

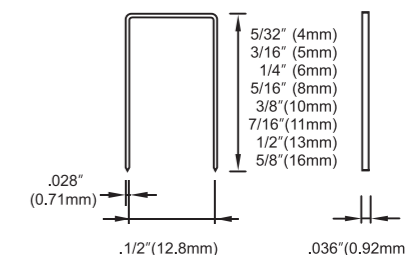
Applications :

- Upholstered furniture
 - TV and stereo cabinets
 - Automobile industry
 - Bedding industry
 - Wicker and rattan furniture



Fasteners :

- BEA : 380/80 Series
 - BOSTITCH : BA T400/BA-80 Series



JS16-50

20GA. 1/2" Crown Stapler

Weight :

- 0.90 kg (1.98 lbs)

Dimensions :

- H : 6-13/16" (157mm)
 - L : 8-29/32" (226.7mm)
 - W : 1-7/8" (47mm)

Staple Capacity :

- 95 staples

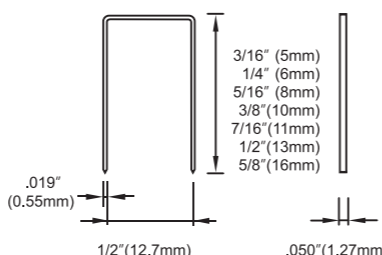
Applications :

- Furniture Manufacturing
 - Upholstery & Bedding



Fasteners :

- BEA : 95 Series
 - DUO FAST : SureShot
 5020/5000 Series



JS16-80

20GA. 1/2" Crown Stapler

Weight :

- 0.90kg (1.98 lbs)

Dimensions :

- H : 5-13/16" (147mm)
 - L : 8-15/16" (227mm)
 - W : 1-7/8" (47mm)

Staple Capacity :

- 140 staples

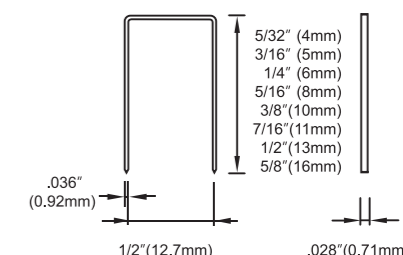
Applications :

- Furniture Manufacturing
 - Upholstery & Bedding
 - Automobile industry



Fasteners :

- BEA : 380/80 Series
 - BOSTITCH : BA T400/BA-80 Series



JS16-54

20GA. 3/16" Crown Stapler

Weight :

- 0.90 kg (1.98 lbs)

Dimensions :

- H : 5-13/16" (147mm)
 - L : 8-15/16" (227mm)
 - W : 1-7/8" (47mm)

Staple Capacity :

- 95 staples

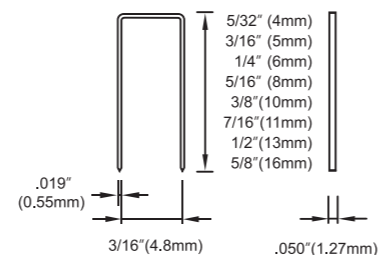
Applications :

- Furniture Manufacturing
 - Upholstery & Bedding



Fasteners :

- DUO FAST : SureShot
 5254/5400 Series



JS16-84

21GA. 1/2" Crown Stapler

Weight :

- 0.86 kg (1.90 lbs)

Dimensions :

- H : 5-13/16" (147mm)
 - L : 8-1/16" (205mm)
 - W : 1-7/8" (47mm)

Staple Capacity :

- 130 staples

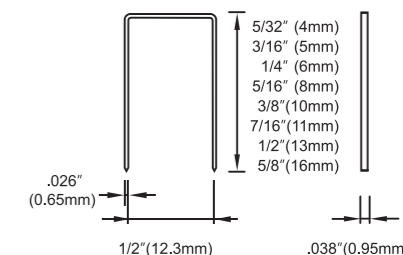
Applications :

- Furniture Manufacturing
 - Upholstery & Bedding
 - Automobile industry



Fasteners :

- F1B84-16 Series
 - ATRO84 / OMER84



S71/16-22

22GA. 3/8" Crown Stapler

● **Weight :**

- 0.98 kg(2.16 lbs)

● **Dimensions :**

- H : 5-11/16" (145mm)
 - L : 8-15/32" (215mm)
 - W : 1-11/16" (43mm)

● **Staple Capacity :**

- 190 staples

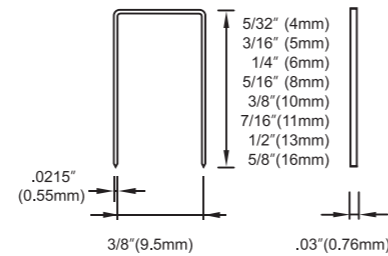
● **Applications :**

- Cabinets
 - Automobile industry
 - Upholstered furniture
 - Bedding industry



● **Fasteners :**

- SENCO : SFW08/C Series
 - DUO FAST : 3118/3100 Series
 - BOSTITCH : BA T401/BA-71 Series
 - BEA : 71/71 Series



1013F

22GA. 7/16" Crown Stapler

● **Weight :**

- 0.88 kg(1.94 lbs)

● **Dimensions :**

- H : 5-11/16" (145mm)
 - L : 8-21/32" (220mm)
 - W : 1-7/8" (47mm)

● **Staple Capacity :**

- 100 staples

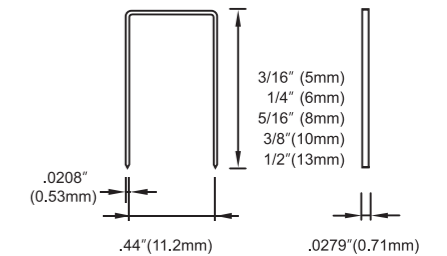
● **Applications :**

- Furniture Manufacturing
 - Upholstery
 - Bedding



● **Fasteners :**

- MAX : TA-20A / 1013J



JS16-34

22GA. 3/16" Crown Stapler

● **Weight :**

- 0.88 kg(1.94 lbs)

● **Dimensions :**

- H : 6-3/16" (157mm)
 - L : 8-29/32" (226.7mm)
 - W : 1-7/8" (47mm)

● **Staple Capacity :**

- 160 staples

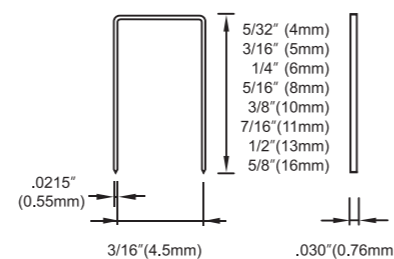
● **Applications :**

- Furniture Manufacturing
 - Upholstery & Bedding



● **Fasteners :**

- SENCO : A Series
 - DUO FAST : SureShot
 3424 / 3400 Series



JS16-71

22GA. 3/8" Crown Stapler

● **Weight :**

- 0.90 kg(1.98 lbs)

● **Dimensions :**

- H : 5-13/16" (147mm)
 - L : 8-15/16" (227mm)
 - W : 1-7/8" (47mm)

● **Staple Capacity :**

- 160 staples

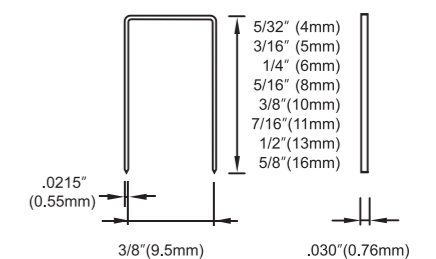
● **Applications :**

- Furniture Manufacturing
 - Upholstery & Bedding



● **Fasteners :**

- SENCO : SFW08/C Series
 - DUO FAST : 3118/3100 Series
 - BOSTITCH : BA T401/BA-71 Series
 - BEA : 71/71 Series



JS16-34M

22GA. 3/16" Crown Stapler

● **Weight :**

- 0.94 kg(2.07 lbs)

● **Dimensions :**

- H : 5-13/16" (147.2mm)
 - L : 8-29/32" (226.7mm)
 - W : 1-7/8" (47mm)

● **Staple Capacity :**

- 175 staples

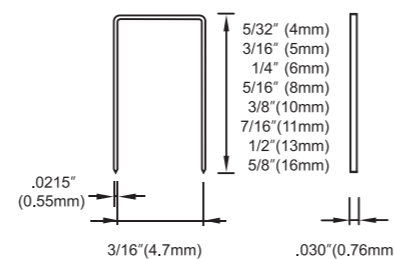
● **Applications :**

- Furniture Manufacturing
 - Upholstery & Bedding



● **Fasteners :**

- SENCO : A Series



JS1414H

22GA. 3/8" Crown Stapler

● **Weight :**

- 0.94 kg(2.07 lbs)

● **Dimensions :**

- H : 5-13/16" (147mm)
 - L : 8-31/32" (228mm)
 - W : 1-7/8" (47mm)

● **Staple Capacity :**

- 210 staples

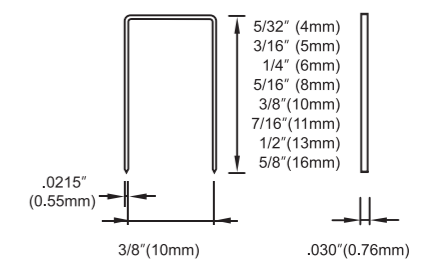
● **Applications :**

- Furniture Manufacturing
 - Upholstery & Bedding



● **Fasteners :**

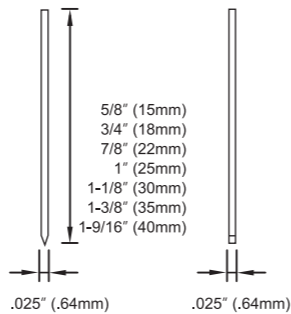
- Haubold : KL1400 Series



640S

23GA. 1-9/16" Micro Pinner

- **Weight :**
 - 1.2kg (2.64 lbs)
- **Dimensions :**
 - H : 7-7/8" (200mm)
 - L : 9-15/16" (252mm)
 - W : 1-7/8" (47mm)
- **Pin Capacity :**
 - 200 Pins
- **Fasteners :**
 - MAX : NF235A/23-35 Series
 - BOSTITCH : HP118K/PT1312 Series
 - SENCO : FinishPro 10/CZ Series
- **Applications :**
 - Cabinets
 - Trim
 - Finish and Trim
 - Mirror and Picture Frames

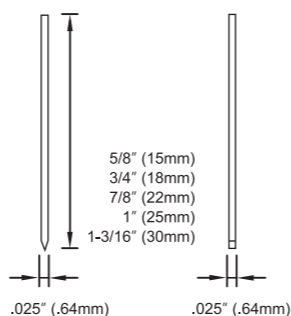


www.jitool.com

630

23GA. 1-3/16" Micro Pinner

- **Weight :**
 - 1.04kg (2.29 lbs)
- **Dimensions :**
 - H : 7-3/8" (188mm)
 - L : 9-7/16" (240mm)
 - W : 1-7/8" (47mm)
- **Pin Capacity :**
 - 200 Pins
- **Fasteners :**
 - MAX : NF235A/23-35 Series
 - BOSTITCH : HP118K/PT1312 Series
 - SENCO : FinishPro 11/CZ Series
- **Applications :**
 - Cabinets
 - Trim
 - Finish and Trim
 - Mirror and Picture Frames



AP64RN

Air Punch

- **Weight :**
 - 1.7kg (3.75 lbs)
- **Dimensions :**
 - H : 10-7/16" (273mm)
 - L : 10-7/16" (275mm)
 - W : 3-1/8" (94mm)
- **Shank Diameter :**
 - Ø3.5 ~ Ø6.0 mm
- **Applications :**
 - Removing Nails



www.jitool.com

AP35RN

Air Punch

- **Weight :**
 - 0.83kg (1.83 lbs)
- **Dimensions :**
 - H : 8-1/2" (216mm)
 - L : 9-3/8" (238mm)
 - W : 2-3/8" (60mm)
- **Shank Diameter :**
 - Ø1.5 ~ Ø5.0 mm
- **Applications :**
 - Removing Nails



Low Voltage / Light weight Compressor



Stable driving "Cool-start"



Compressor motor for low voltage



The new head / Secondary cover

• Cable reel can be used

Type of tank capacity
(25L, 40L, 50L, 120L)

www.jitool.com

JC35-40 AL

Air Compressor

• Weight :

- 31kg

• Dimensions :

- L : 720mm

- D : 330mm

- H : 690mm

• RPM

- 3420

• Applications :

- Air Nailer and air tools work
- Interior / Cleaning
- Equipment of Leisure
- Education and construction at all small range of working fields.



ALUMINUM TANK

JC35-40

Air Compressor

• Weight :

- 40kg

• Dimensions :

- L : 720mm

- D : 330mm

- H : 690mm

• RPM

- 3420

• Applications :

- Air Nailer and air tools work
- Interior / Cleaning
- Equipment of Leisure
- Education and construction at all small range of working fields.



JC45-40

Air Compressor

• Weight :

- 41kg

• Dimensions :

- L : 720mm

- D : 330mm

- H : 690mm

• RPM

- 3420

• Applications :

- Air Nailer and air tools work
- Interior / Cleaning
- Equipment of Leisure
- Education and construction at all small range of working fields.



JC55-50

Air Compressor

• Weight :

- 45kg

• Dimensions :

- L : 830mm

- D : 330mm

- H : 690mm

• RPM

- 3420

• Applications :

- Air Nailer and air tools work
- Interior / Cleaning
- Equipment of Leisure
- Education and construction at all small range of working fields.

